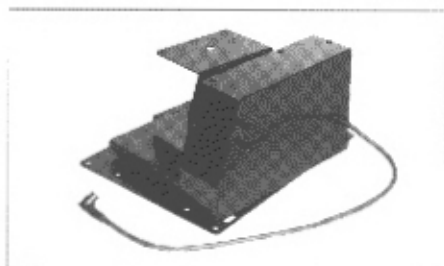


Operating Instructions

Pan/Tilt Unit WG-PT100

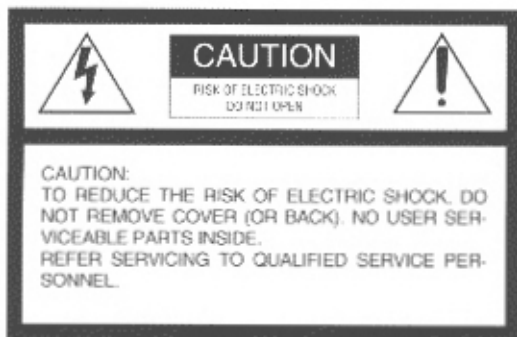
Panasonic 

Before attempting to connect or operate this product, please read these instructions carefully.



PREFACE

The WG-PT100 Pan/Tilt Unit is designed for use with the Panasonic Video Conference System. The WG-V100 Color Video Camera can be mounted on this unit. The movement of this unit (including preset operation) is remotely controlled using the WG-CR100 Remote Controller.



SA 1965

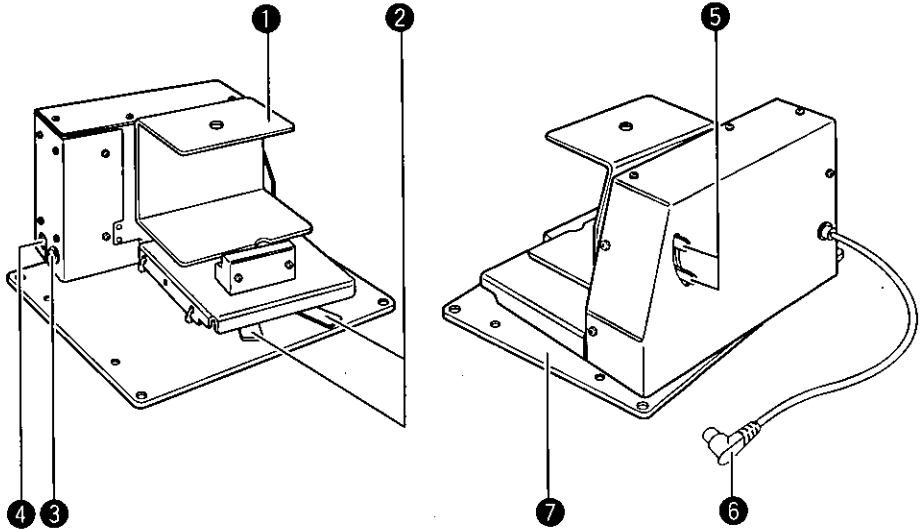
The lightning flash with arrowhead symbol, within an equilateral triangle, is intended to alert the user to the presence of uninsulated "dangerous voltage" within the product's enclosure that may be of sufficient magnitude to constitute a risk of electric shock to persons.



SA 1966

The exclamation point within an equilateral triangle is intended to alert the user to the presence of important operating and maintenance (servicing) instructions in the literature accompanying the appliance.

MAJOR OPERATING CONTROLS AND THEIR FUNCTIONS



1. Camera Mounting Bracket

The WG-V100 Color Video Camera can be installed into this bracket with camera mounting screw (supplied).

2. Panning Limit Levers

The panning angle can be adjusted by changing the position of these levers.

Notes :

1. The maximum panning angle : 40 degrees (right), 40 degrees (left)
2. The panning angle has been set to 20 degrees each for both right and left at the factory.

3. DC Power Output Connector

+12V DC Power is provided from this connector to WG-V100 Color Video Camera.

4. External DC Input Connector

+12V DC is supplied from WG-PS100 Power Unit to this connector.

5. Tilting Limit Levers

The tilting angle can be adjusted by changing the position of these levers.

Notes :

1. The maximum tilting angle : +18 degrees (upper), -20 degrees (lower).
2. The tilting angle has been set to +5 degrees (upper) and -15 degrees (lower) at the factory.

6. Pan/Tilt Control Cable

Connect this cable to the lens connector on the X10 power zoom lens mounted on WG-V100.

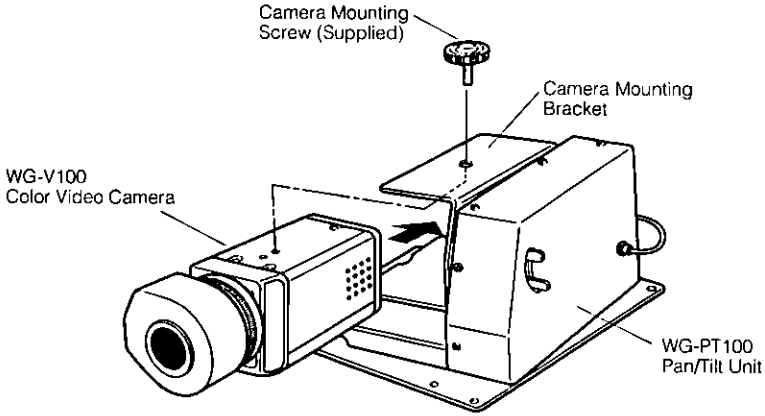
7. Mounting Base

The Pan/Tilt unit is mounted on the Panasonic cabinet by tightening 4 screws (supplied).

INSTALLATION

The following installation should be made by qualified service personnel or system installers.

- Install the WG-V100 Color Video Camera into the camera mounting bracket and tighten with camera mounting screw (supplied).



Note: Refer to the Installation Manual of WG-AV120 AV Codec for more details.

SPECIFICATIONS

| | |
|---------------------------------|--|
| Power : | +12V DC, 0.6A (Provided from WG-PS100) |
| Panning Angle : | 40 degrees each for right and left |
| Panning Speed : | 7.5° / sec (15°/sec at preset mode) |
| Tilting Angle : | +18 degrees (upper), -20 degrees (lower) |
| Tilting Speed : | 7.5° / sec (15°/sec at preset mode) |
| Accuracy of Preset Movement : | Approx. ±0.5 degrees |
| Ambient Operating Temperature : | 41°F - 95°F (+5°C - +35°C) |
| Dimensions : | 7-7/8"(W) x 5-2/8" (H) x 9-9/16" (D) 200 (W) x 133.5 (H) x 243 (D) mm |
| Weight : | 6.16 lbs. (2.8kg) |

Weight and dimensions are approximate.
Specifications are subject to change without notice.

STANDARD ACCESSORIES

| | |
|-----------------------------|-------|
| Camera Power Cable | 1 pc |
| Camera Mounting Screw | 1 pc |
| Screws (M4 x 8) | 4 pcs |

Panasonic

Broadcast & Television Systems Company

Division of Matsushita Electric Corporation of America

Executive Office:

One Panasonic Way (3F-5), Secaucus, NJ 07094

Regional Offices:

EASTERN ZONE: 43 Hartz Way, Secaucus, NJ 07094 (201) 348-7620

CENTRAL ZONE: 1707 N. Randall Rd, Elgin, IL 60123 (708) 468-5200

SOUTHERN ZONE:

Dallas Region: 4500 Amon Carter Blvd, Fort Worth, TX 76155 (817) 685-1117

Atlanta Region: 1225 Northbrook Parkway, Suite 1-160, Suwanee, GA 30174

Panazip 11 (404) 338-6841, fax (404) 338-6741

Law Enforcement Video Products: 1225 Northbrook Parkway, Suite 1-160, Suwanee, GA

30174, Panazip 11 (404) 338-6844, fax (404) 338-6721

WESTERN ZONE:

Seattle Region: 1200 Westlake Ave., North, Suite 508, Seattle, WA 98109 (206) 285-8883

Los Angeles Region: 6550 Katella Ave., Cypress, CA 90630 (714) 373-7271

Government Marketing Department: 52 West Gude Drive, Rockville, MD 20850 (301) 738-3840

MATSUSHITA ELECTRIC OF CANADA LIMITED

5770 Ambler Drive, Mississauga, Ontario, L4W 2T3 Canada (905) 624-5010

PANASONIC SALES COMPANY

DIVISION OF MATSUSHITA ELECTRIC OF PUERTO RICO, INC.

San Gabriel Industrial Park, 65th Infantry, Ave. KM. 9.5 Carolina, Puerto Rico 00630 (809) 750-4300